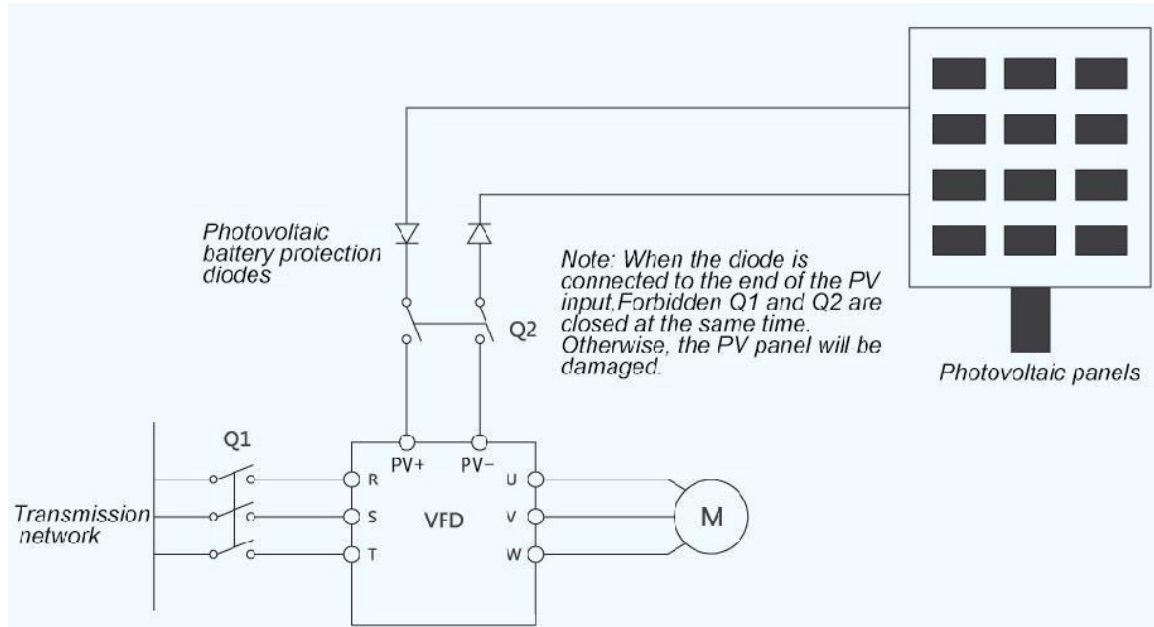


Automatic operation control scheme of PV inverter

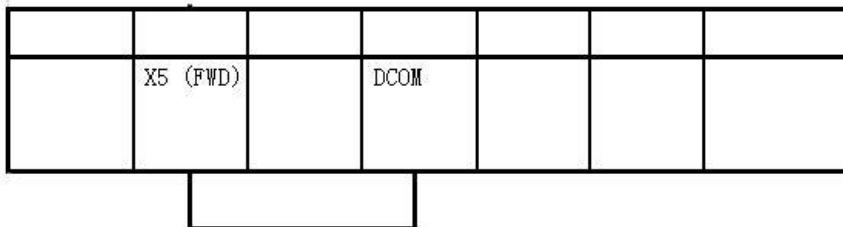
(Photovoltaic inverter)

WK600 series photovoltaic inverter for non-standard products, wiring and debugging, please specify the data as the standard.

一、 The main circuit wiring Scheme



2、 Control terminals Wiring Scheme



Short circuit between X5 and DCOM Basic operation parameter setting
parameter settings

P0-02=1 select terminal operation;

P0-02=0 select keyboard operation;

P0-03=10 select the DC bus voltage corresponding to the set frequency

P0-29=800V bus voltage upper limit (380V inverter default DC 800V, 220V inverter default DC 400V)

P0-30=3 The bus voltage upper limit reaches the setting, select 3 to set it to stop after the upper limit voltage is exceeded,

After returning to the working voltage, wait for the reset time set by P1-11 to resume work;

P0-31=400V bus voltage lower limit (380V inverter default DC 400V, 220V inverter default DC 200V)

P0-32=3 The lower limit of the bus voltage reaches the setting, select 3 to set it to stop after the voltage is lower than the lower limit,

After returning to the working voltage, wait for the reset time set by P1-11 to resume work;

P1-11=10S Set the waiting time for resumption of work (the specific setting is subject to the actual site)
P9-05=1, after under-voltage and over-voltage protection, the bus voltage can be restored to normal and can resume work

On-site operation precautions

Note: 1. Main circuit terminals R, S, T are three-phase AC input (220V is R, T), PV+, PV- are photovoltaic DC input;

2. The withstand voltage rating of the 380V inverter is DC 800V, and the input DC voltage of the series configuration should not exceed DC 800V.

The voltage withstand level of the 220V inverter is DC 400V, and the input DC voltage in series configuration cannot exceed DC 400V.

{The best working DC voltage of 380V inverter is 540V (configured with 540V-580V), and the best working DC voltage of 220V is 320V (configured with 320-340V)}

3. When AC power is input to the main circuit, the PV DC input must be disconnected, otherwise the inverter and solar panel will be damaged.